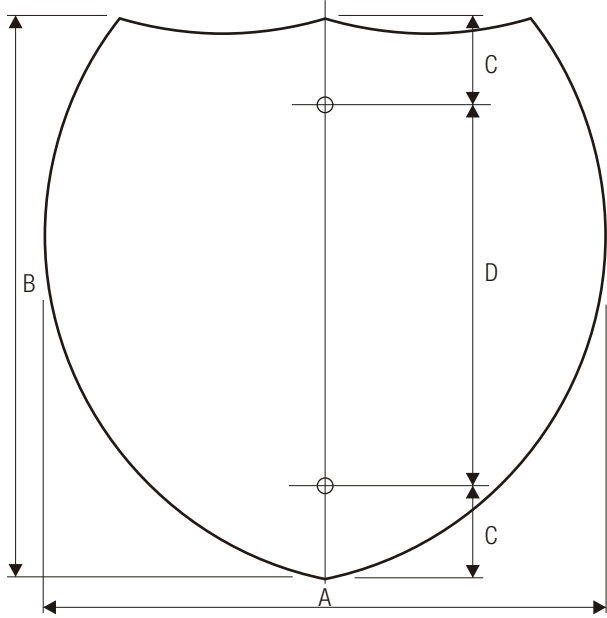
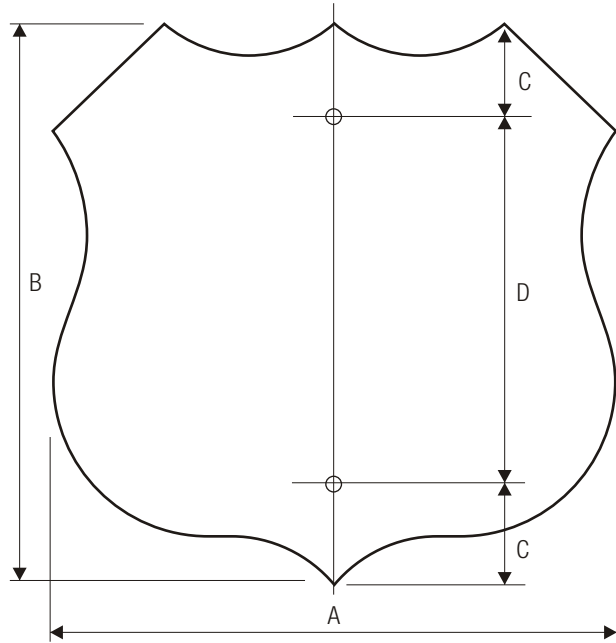


BLANK STANDARDS



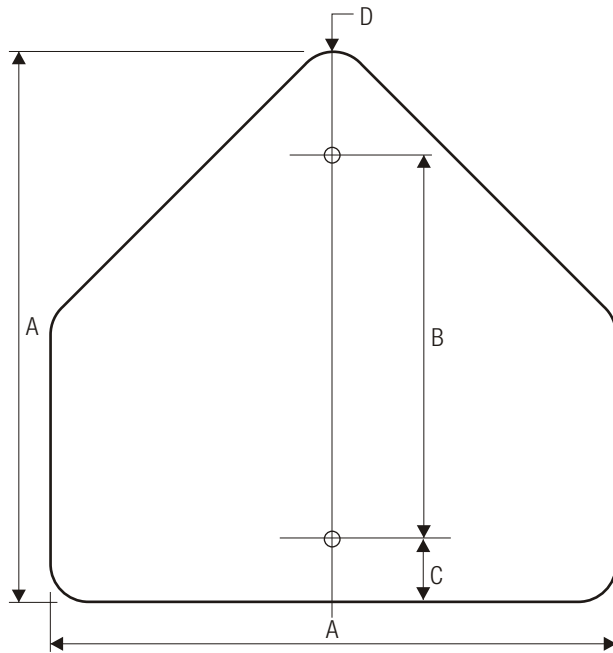
INTERSTATE SHIELD

| A  | B  | C | D  |
|----|----|---|----|
| 24 | 24 | 3 | 18 |
| 30 | 24 | 3 | 18 |
| 36 | 36 | 6 | 24 |
| 45 | 36 | 6 | 24 |



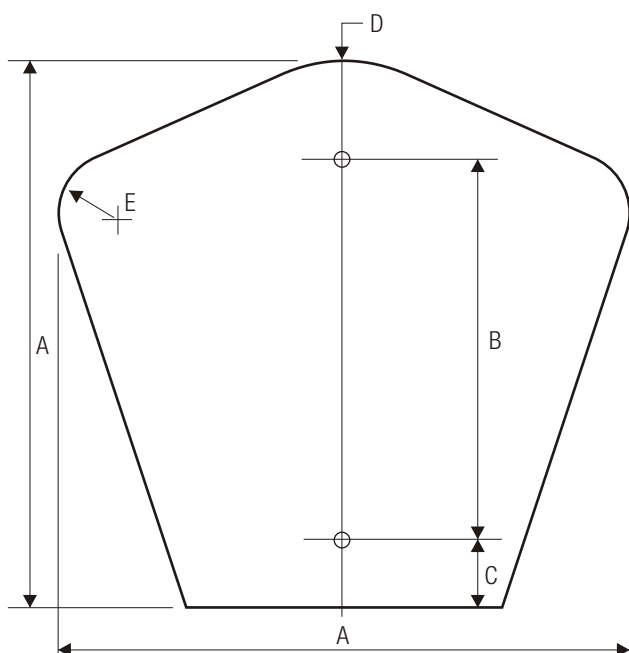
U.S. SHIELD

| A  | B  | C | D  |
|----|----|---|----|
| 24 | 24 | 3 | 18 |
| 30 | 24 | 3 | 18 |
| 36 | 36 | 6 | 24 |
| 45 | 36 | 6 | 24 |



PENTAGON (SCHOOL)

| A  | B  | C | D     |
|----|----|---|-------|
| 30 | 21 | 3 | 1.875 |
| 36 | 24 | 3 | 2.25  |



COUNTY SHIELD

| A  | B  | C | D     | E     |
|----|----|---|-------|-------|
| 18 | 15 | 1 | 5     | 2     |
| 24 | 18 | 2 | 5.313 | 2.688 |
| 30 | 24 | 2 | 6.625 | 3.375 |