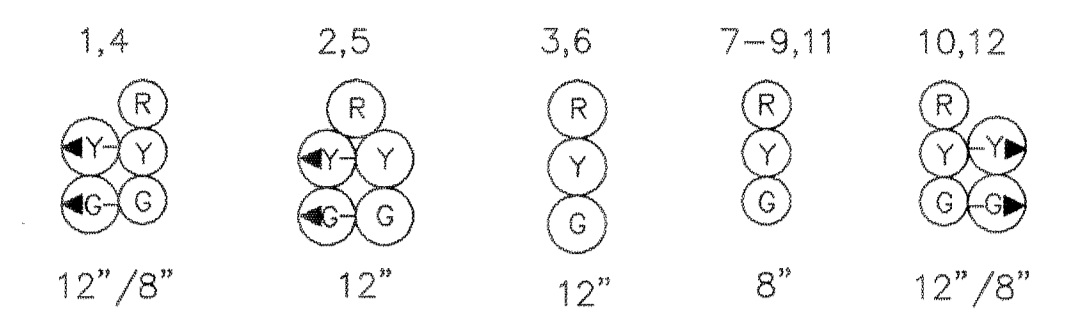
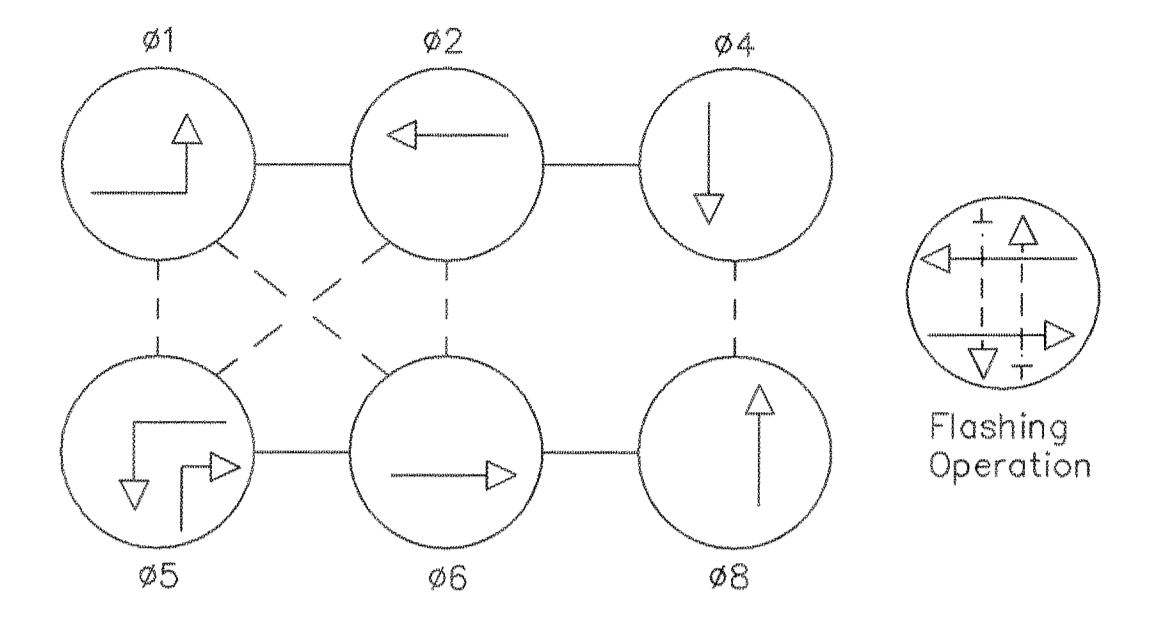


FHWA REGION NO.	STATE	FED. AID PROJ. NO.	SHEET NO.	TOTAL SHEETS
3	MD.			

SIGNALS

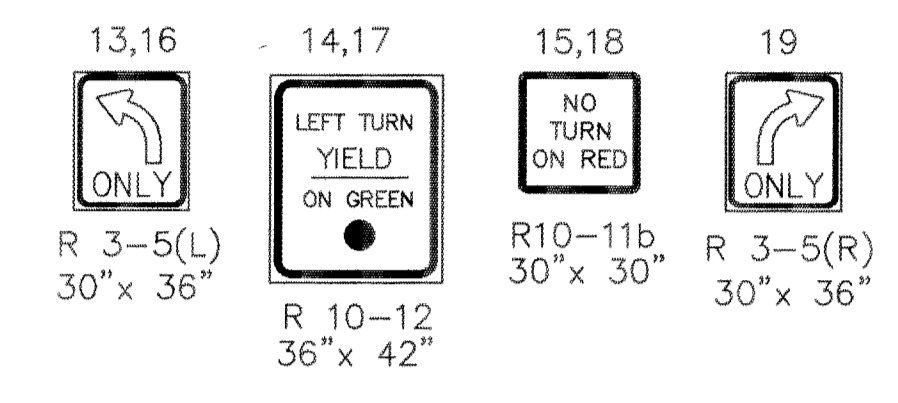


NEMA PHASING



- 1.) Phases associated by a dashed line will operate concurrently.
- 2.) Phases associated by a solid line will not operate concurrently.

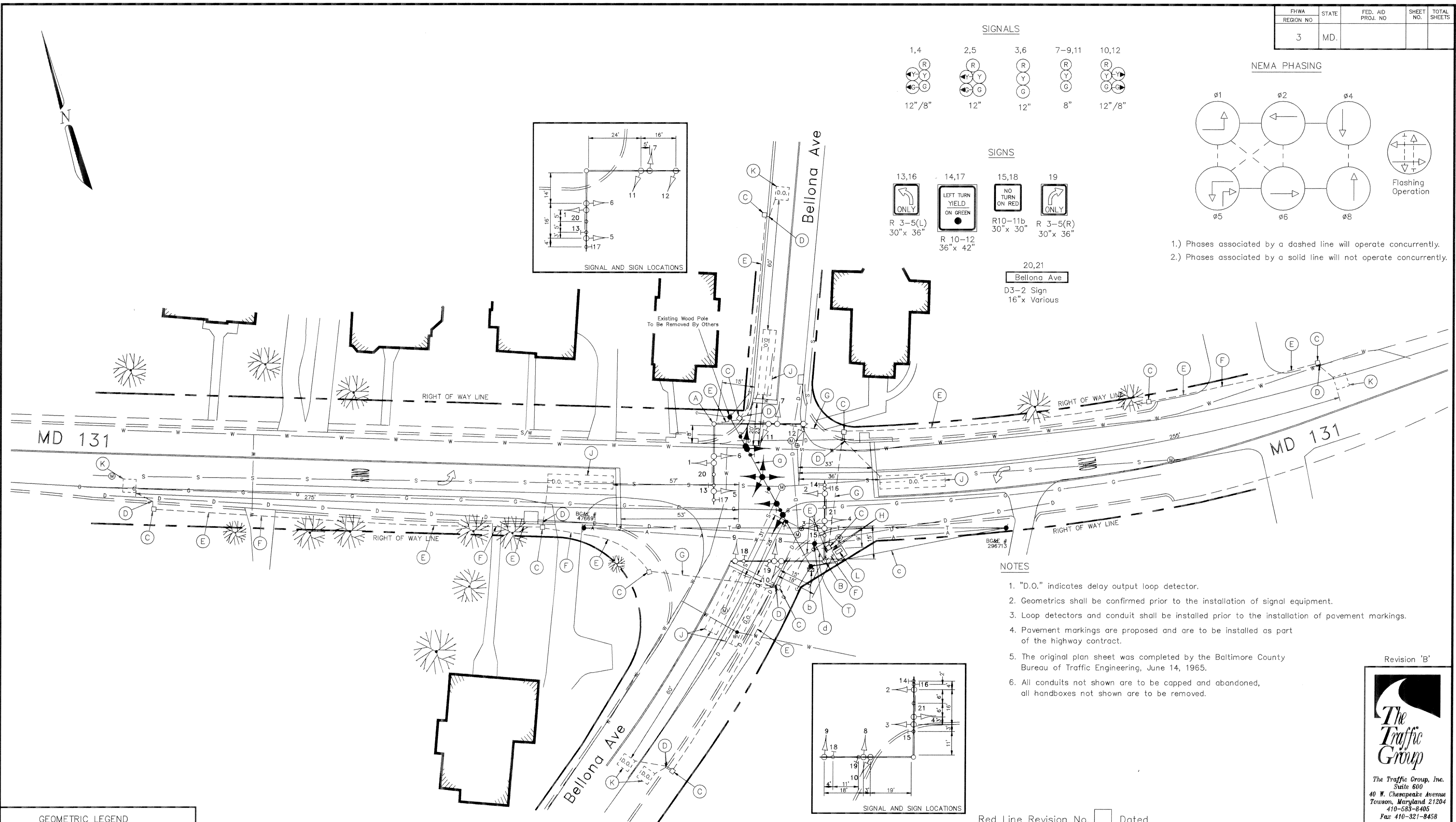
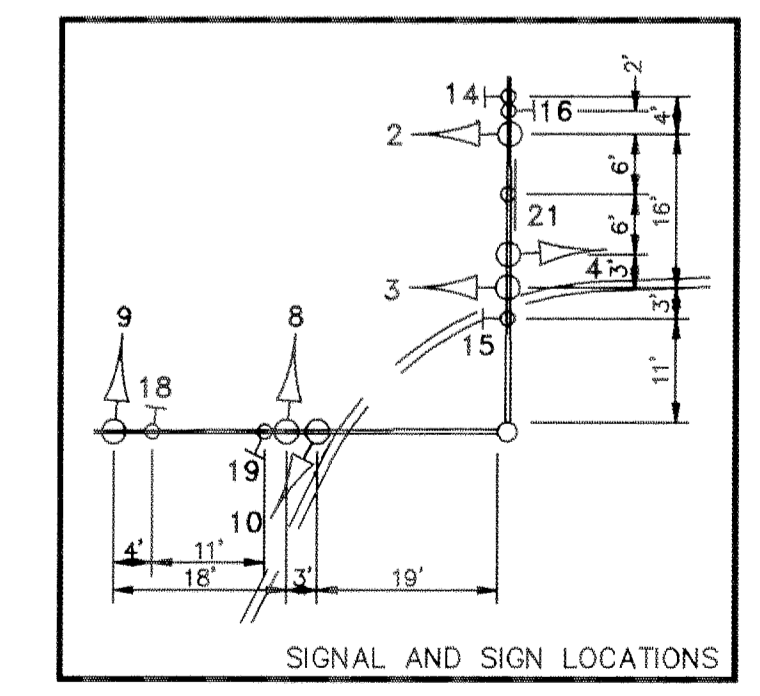
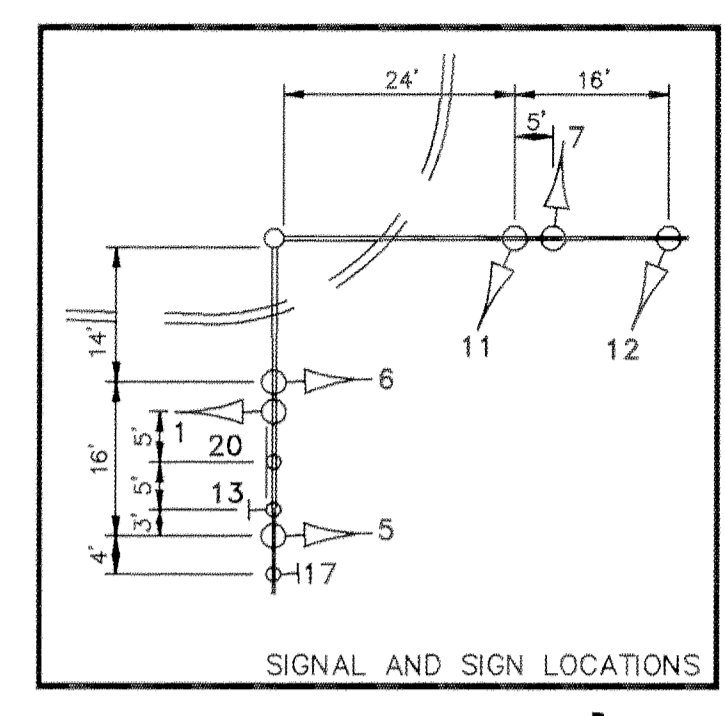
SIGNS



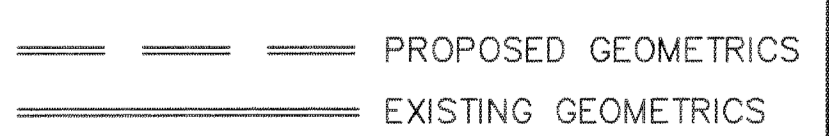
20,21
Bellona Ave
D3-2 Sign
16" x Various

NOTES

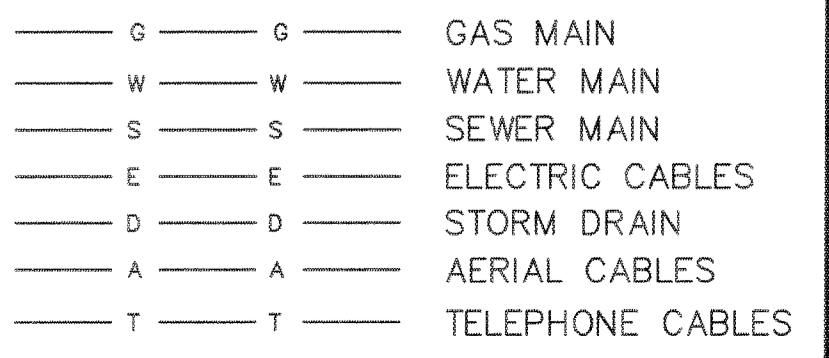
1. "D.O." indicates delay output loop detector.
2. Geometrics shall be confirmed prior to the installation of signal equipment.
3. Loop detectors and conduit shall be installed prior to the installation of pavement markings.
4. Pavement markings are proposed and are to be installed as part of the highway contract.
5. The original plan sheet was completed by the Baltimore County Bureau of Traffic Engineering, June 14, 1965.
6. All conduits not shown are to be capped and abandoned, all handboxes not shown are to be removed.



GEOMETRIC LEGEND



UTILITY LEGEND



Red Line Revision No. Dated

REVISIONS	APPROVALS
<p>Red Line Revision Dated: March 12, 1993 S.H.A. No. B-871-501-477</p> <p>Asbuilt and reconstruct due to new geometrics S.H.A. No. B-871-501-477 P.R.D.</p>	<p>PROJECT MANAGER, SIGNAL DESIGN SECTION</p> <p>ASST. CHIEF, TRAFFIC ENGINEERING DESIGN DIVISION</p> <p>CHIEF, TRAFFIC ENGINEERING DESIGN DIVISION</p> <p>DIRECTOR, OFFICE OF TRAFFIC & SAFETY</p>

MDOT - STATE HIGHWAY ADMINISTRATION
Office of Traffic & Safety
TRAFFIC ENGINEERING DESIGN DIVISION LOG MILE # 03013102.73

DRAWN BY: T.G. White of Balt. Co. BTE
DES. BY: N/A
CHK. BY: N/A

DATE: June 14, 1965 F.A.P. NO. N/A
SCALE: 1" = 20' S.H.A. NO. N/A

MD 131 (Seminary Ave.)
at BELLONA AVE.
COUNTY: BALTIMORE

TS/STD. NO. 2501C SHEET NO. 89 of 94

Revision 'B'

The Traffic Group, Inc.
Suite 600
40 W. Chesapeake Avenue
Towson, Maryland 21204
410-583-8405
Fax 410-321-8458
Job No. 00906

03013102.73