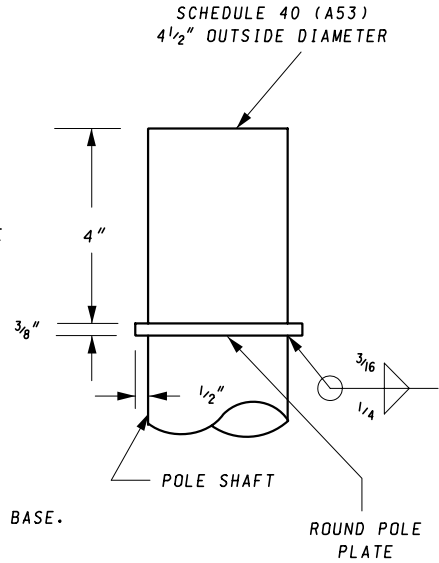
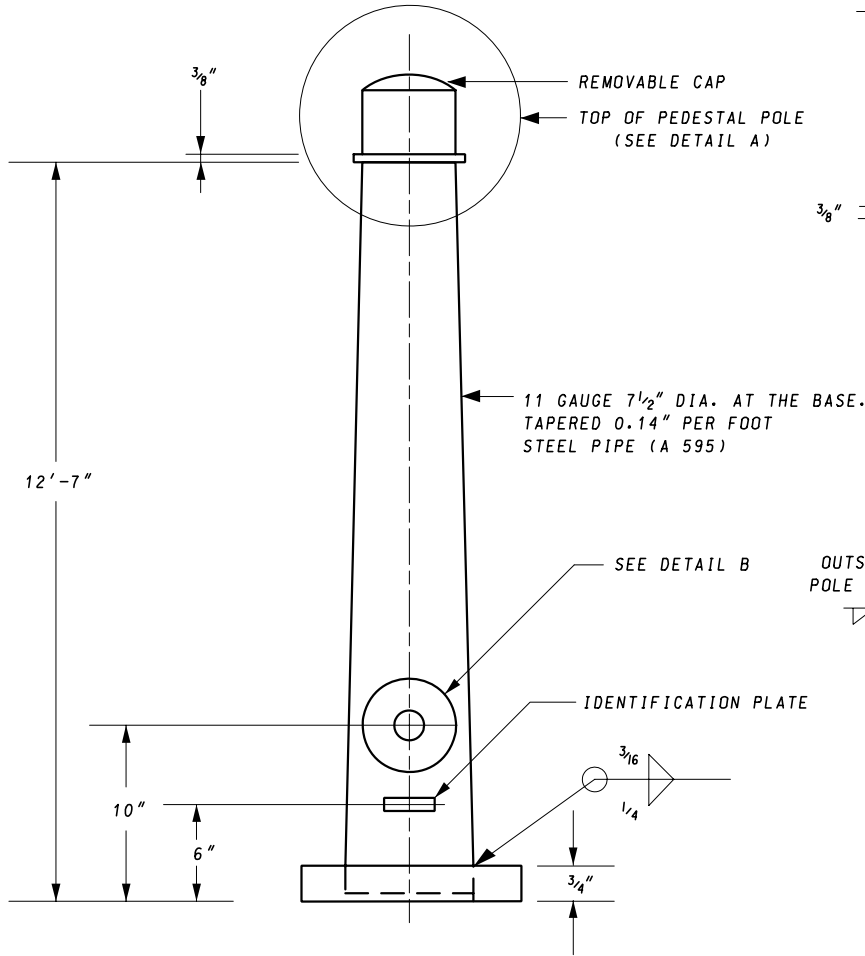
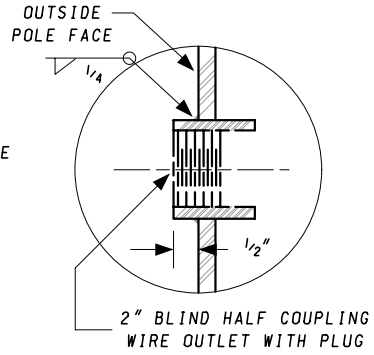


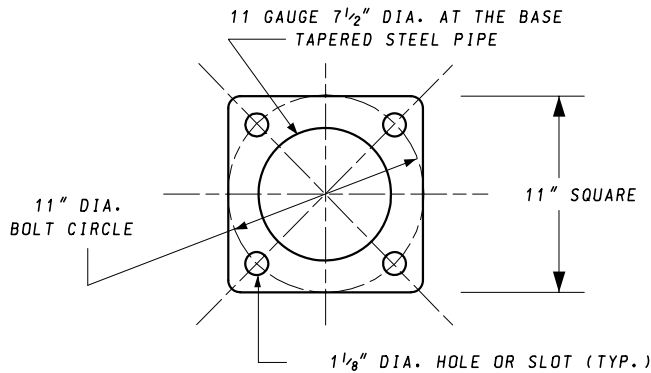
NOT TO SCALE



DETAIL A





DETAIL B



NOTE:

TOTAL 14' DIMENSION INCLUDES POLE HEIGHT AND TRANSFORMER BASE.

SPECIFICATION 818	CATEGORY CODE ITEMS	
APPROVED  DIRECTOR - OFFICE OF TRAFFIC AND SAFETY		
	APPROVAL • SHA REVISIONS	APPROVAL • FEDERAL HIGHWAY ADMINISTRATION
	APPROVAL 7-1-94	APPROVAL 7-1-94
	REVISED 5-17-07	REVISED 5-2-07
	REVISED	REVISED
	REVISED	REVISED

**Maryland Department of Transportation
STATE HIGHWAY ADMINISTRATION**

STANDARDS FOR HIGHWAYS AND INCIDENTAL STRUCTURES

14' PEDESTAL POLE DETAIL

STANDARD NO.

MD 818.17