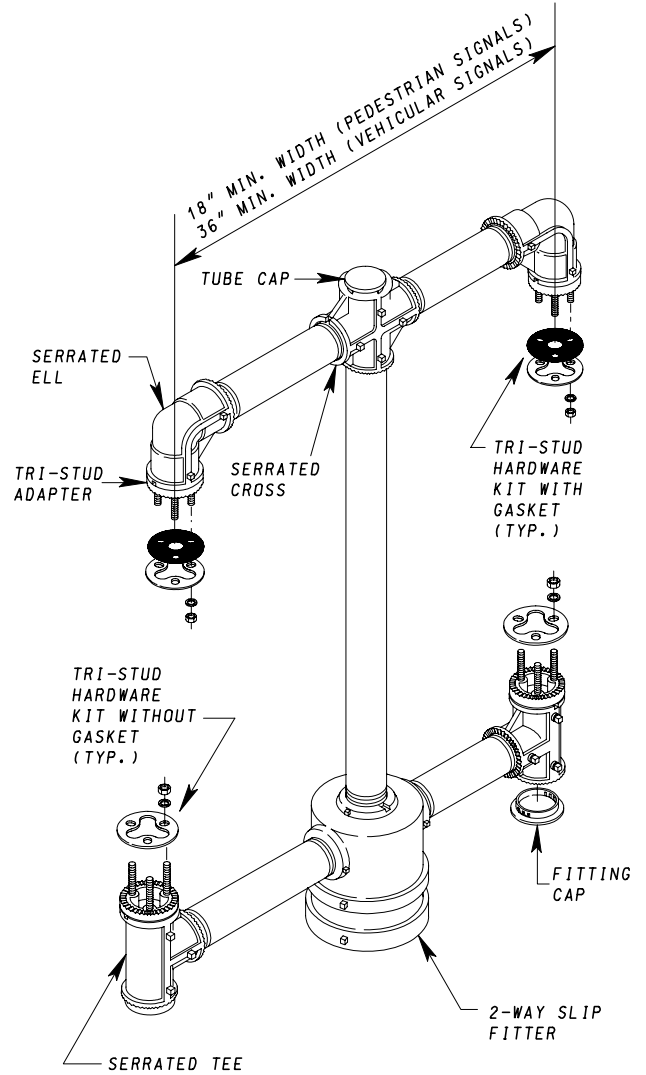



**TOP POLE MOUNTING
FOR THREE & FOUR-WAY SIGNAL**



**TOP POLE MOUNTING
FOR TWO-WAY SIGNAL**

NOTES:

1. ALL CAST MOUNTING HARDWARE SHALL BE ALODINE FINISHED ALUMINUM.
2. ALL BOLTS SHALL BE STAINLESS STEEL.

SPECIFICATION 814	CATEGORY CODE ITEMS
APPROVED	 DIRECTOR - OFFICE OF TRAFFIC AND SAFETY
SHA <small>Division of State Highway Administration</small>	APPROVAL • SHA REVISIONS
	APPROVAL 10-10-00
	REVISED 5-17-07
	REVISED
	REVISED

**Maryland Department of Transportation
STATE HIGHWAY ADMINISTRATION**

STANDARDS FOR HIGHWAYS AND INCIDENTAL STRUCTURES

**TOP POLE MOUNTING FOR
VEHICULAR AND PEDESTRIAN SIGNAL HEADS**

STANDARD NO.

MD 814.04