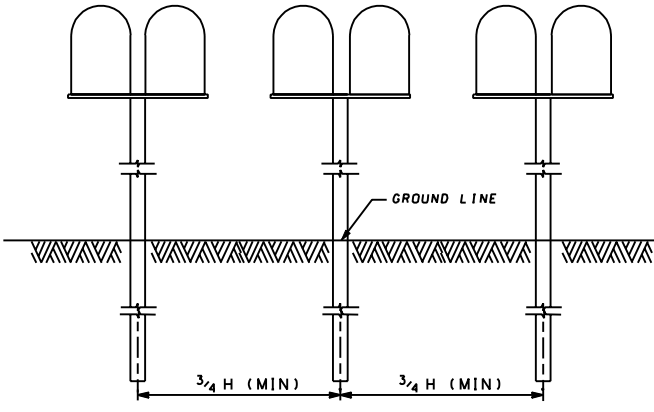
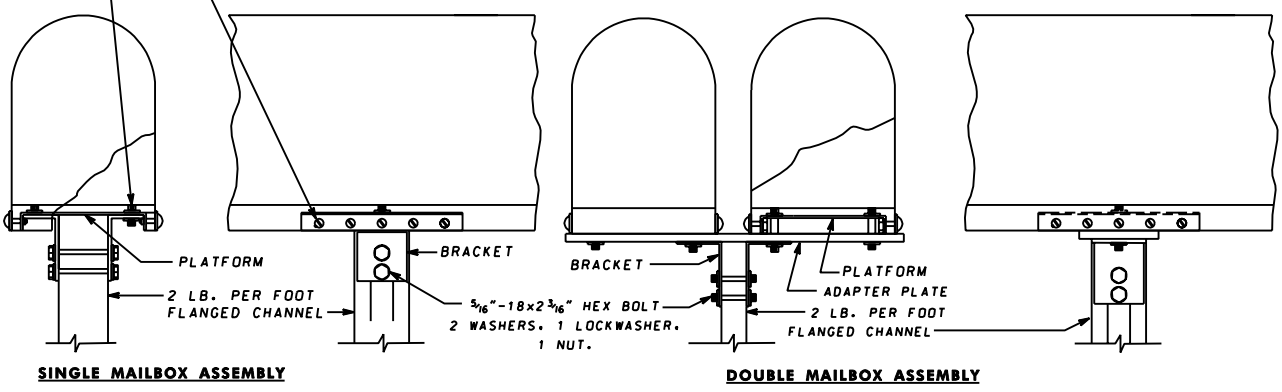


5/16" - 18 1/16" HEX BOLT
2 WASHERS, 1 LOCKWASHER, 1 NUT.

NO. 8 - 32 3/16" x 1 1/16" SLOTTED ROUND
HEAD BOLT (STOVE BOLT) 2 WASHERS,
1 LOCKWASHER, 1 NUT



SPACING FOR MULTIPLE POST INSTALLATIONS

SPECIFICATION	CATEGORY CODE ITEMS
APPROVED	<i>Kirk G. McCall</i> DIRECTOR - OFFICE OF HIGHWAY DEVELOPMENT
	APPROVAL • SHA REVISIONS APPROVAL 2-10-04
	APPROVAL • FEDERAL HIGHWAY ADMINISTRATION APPROVAL 3-31-04
	REVISED
	REVISED

Maryland Department of Transportation
STATE HIGHWAY ADMINISTRATION
 STANDARDS FOR HIGHWAYS AND INCIDENTAL STRUCTURES
SINGLE AND DOUBLE MAILBOX ASSEMBLIES TYPE B

STANDARD NO. MD 635.03