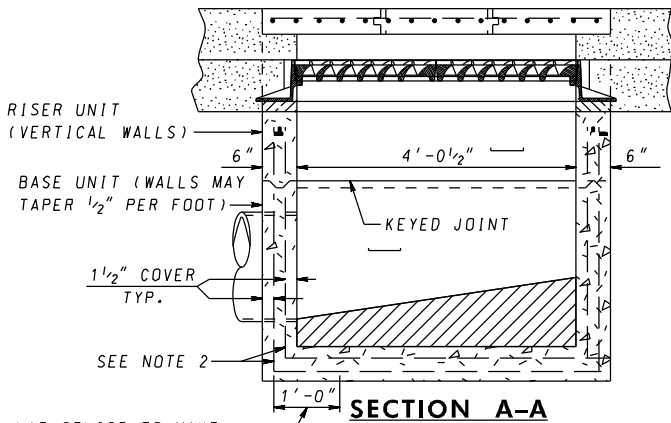
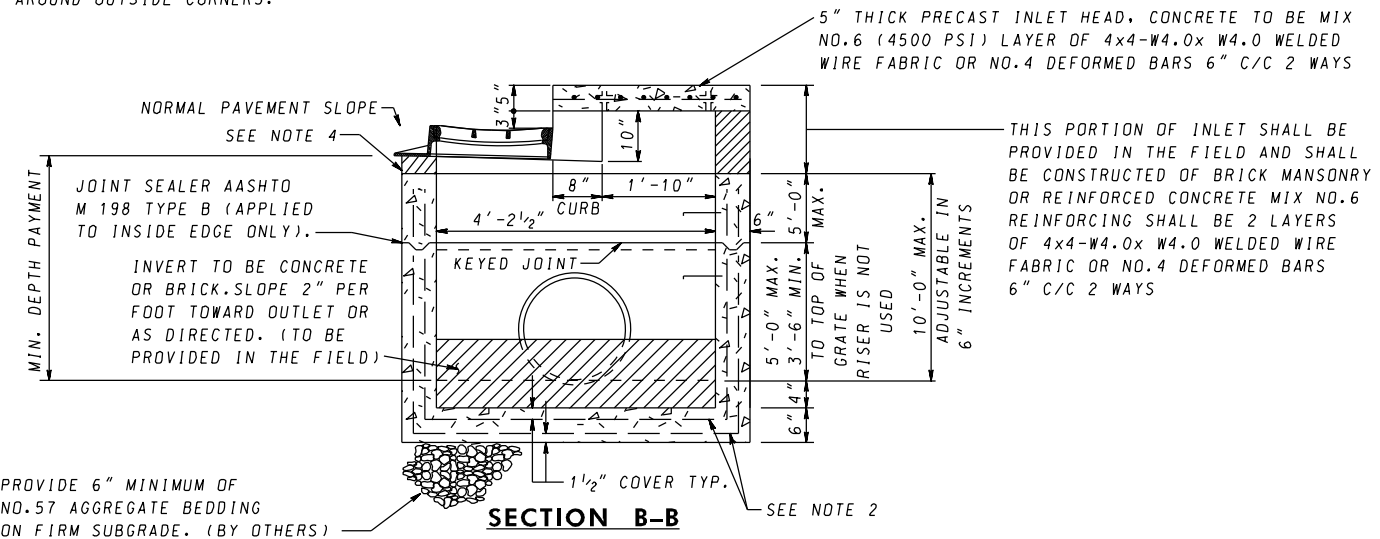


**GENERAL NOTES**

1. CONCRETE TO BE MIX NO.6 (4500 PSI).
2. REINFORCING WALLS - 2 LAYERS OF 4x4-W4.0x W4.0 WELDED WIRE FABRIC; BASE - 2 LAYERS OF 4X4 - W6.5 X W6.5 WELDED WIRE FABRIC
3. THREADED PLASTIC INSERTS TO BE PROVIDED FOR HANDLING.
4. GRADE AND SLOPE ADJUSTMENTS TO BE COMPLETED IN THE FIELD USING CONCRETE MIX NO.6.
5. PIPE OPENINGS TO BE PROVIDED AS REQUIRED. FOR SIZE, LOCATION AND INVERT ELEVATIONS REFER TO CONSTRUCTION PLANS.
6. PLACEMENT OF SUBGRADE DRAINAGE WILL BE AS DIRECTED BY THE ENGINEER OR AS NOTED ON THE CONSTRUCTION PLANS.
7. LADDER RUNGS SHALL BE IN ACCORDANCE WITH STANDARD MD 383.91 AND MD 383.92 OR AS DIRECTED BY THE ENGINEER.
8. MINIMUM DEPTH PAYMENT PER "EACH" INLET INCLUDES DEPTHS UP TO 3'-6". VERTICAL DEPTH PAYMENT PER LINEAR FOOT FOR DEPTHS IN EXCESS OF 3'-6".
9. FROM CURB LINE/ SIDEWALK, INLET HAS BEEN DESIGNED FOR HS-25 LOADING, ACCORDING TO AASHTO LRFD BRIDGE DESIGN SPECIFICATIONS



LAP SPLICE TO MAKE REINFORCING CONTINUOUS AROUND OUTSIDE CORNERS.



SPECIFICATION <b>305</b>	CATEGORY CODE ITEMS
APPROVED	DIRECTOR - OFFICE OF HIGHWAY DEVELOPMENT
	APPROVAL • SHA REVISIONS
	APPROVAL • FEDERAL HIGHWAY ADMINISTRATION
	APPROVAL 4-15-87
	REVISD 7-1-09
	REVISD 10-7-14

**Maryland Department of Transportation**  
**STATE HIGHWAY ADMINISTRATION**  
 STANDARDS FOR HIGHWAYS AND INCIDENTAL STRUCTURES

**PRECAST STANDARD**  
**TYPE H COMBINATION INLET**

**STANDARD NO. MD 374.75**