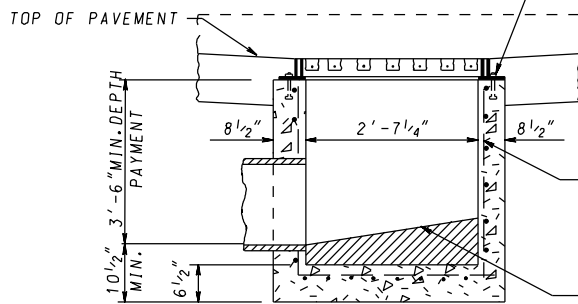


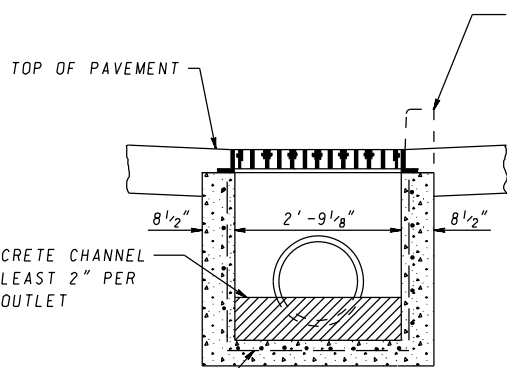
STANDARD WR SINGLE FRAME
& GATE. FOR DETAILS SEE
STDS. MD 374.02 & MD 374.03

5/8" Φ ANCHOR BOLT, 4 PER FRAME
(FOR DETAILS SEE STD. MD 374.02)



SECTION A-A

INVERT TO BE CONCRETE OR BRICK
SLOPE 2" PER FOOT TOWARD OUTLET



BRICK OR CONCRETE CHANNEL
TO SLOPE AT LEAST 2" PER
FOOT TOWARD OUTLET


SEE NOTE 5

SECTION B-B

POSITION OF CURB WHEN REQUIRED- TO BE
PAID FOR PER LINEAR FEET OF STANDARD CURB.

GENERAL NOTES

1. CONCRETE TO BE MIX NO. 2 (3,000 PSI).
2. SIZE, TYPE, AND DIRECTION OF INLET CONNECTION WILL VARY TO SUIT CONDITIONS.
3. SEE SHA LATEST SPECIFICATIONS FOR INLETS.
4. WALL REINFORCEMENT SHALL BE ONE LAYER OF NO.4 DEFORMED BARS @ 6" C/C, TWO WAYS, AND HAVE 3.5" COVER FROM INSIDE WALL.
5. BASE REINFORCEMENT SHALL BE ONE LAYER OF NO.4 DEFORMED BARS @ 6" C/C, TWO WAYS, WITH 2" COVER FROM TOP OF BASE.
6. PLACE 1/4" EXPANSION MATERIAL OF THE SAME TYPE APPROVED FOR PAYMENT IN BETWEEN THE FRAME AND ABUTTING RIGID PAVEMENT AND BETWEEN ENDS OF INLET CURB AND NORMAL CURB.
7. BRICK FOR MASONRY TO COMPLY WITH THE SHA SPECIFICATION.
8. FOR UNDEPRESSED INLETS USE NORMAL PAVEMENT SLOPE.
9. LADDER RUNGS SHALL BE IN ACCORDANCE WITH STD MD 383.91 AND MD 383.92 OR AS DIRECTED BY THE ENGINEER.
10. FROM THE CURB LINE, INLET HAS BEEN DESIGNED FOR HS-25 LOADING ACCORDING TO AASHTO LRFD BRIDGE DESIGN SPECIFICATIONS AND FOR A MAXIMUM DEPTH OF 15'-0".

SPECIFICATION 305	CATEGORY CODE ITEMS
APPROVED	<i>Raff</i> DIRECTOR - OFFICE OF HIGHWAY DEVELOPMENT
	APPROVAL • SHA REVISIONS
	APPROVAL • FEDERAL HIGHWAY ADMINISTRATION
	APPROVAL 3-5-75
	APPROVAL 5-22-75
	REVISD 10-1-01
REVISD 10-7-14	
REVISD 2-24-88	
REVISD 9-29-14	
REVISD	REVISD

Maryland Department of Transportation
STATE HIGHWAY ADMINISTRATION
STANDARDS FOR HIGHWAYS AND INCIDENTAL STRUCTURES

SINGLE WR INLET

STANDARD NO.

MD 374.06