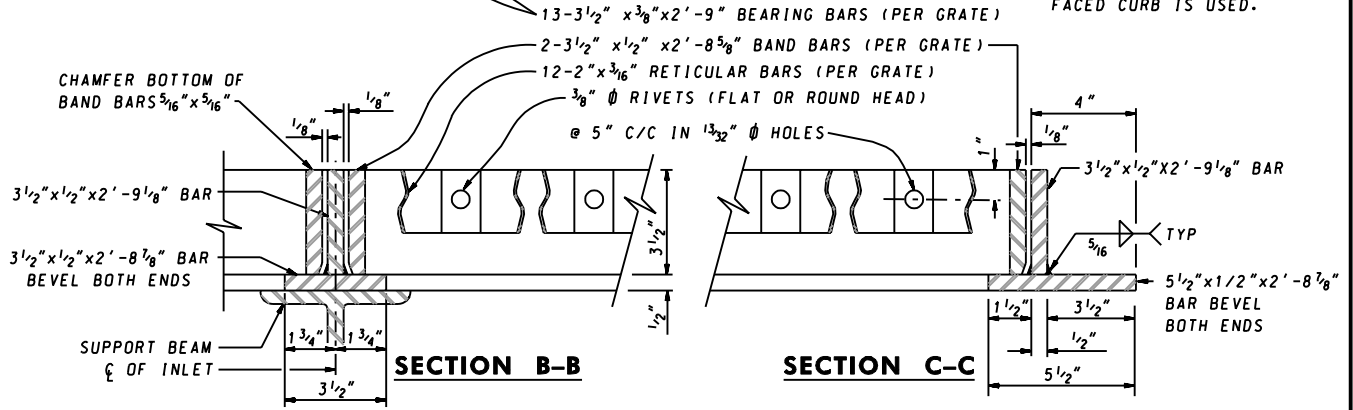


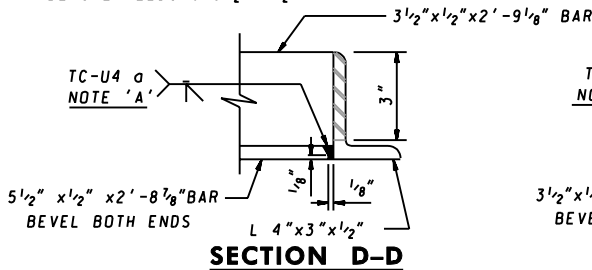
SECTION A-A

USE 4" x 1/2" FLAT BAR WHEN OPEN FACED CURB IS USED.

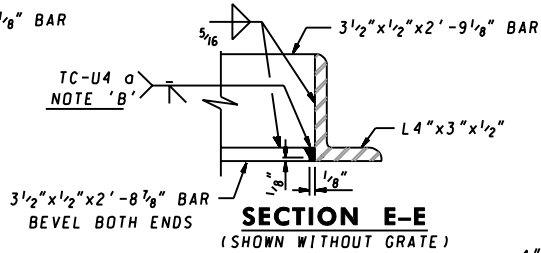


NOTE 'A' - WELD 5 1/2" x 1/2" BAR TO 4" x 3" x 1/2" L BEFORE WELDING 3 1/2" x 1/2" BAR

NOTE 'B' - WELD 3 1/2" x 1/2" x 2'-8 7/8" BAR TO 4" x 3" x 1/2" L BEFORE WELDING 3 1/2" x 1/2" x 2'-9 1/8" BAR

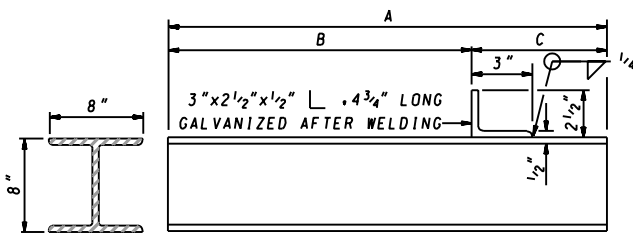


SECTION D-D



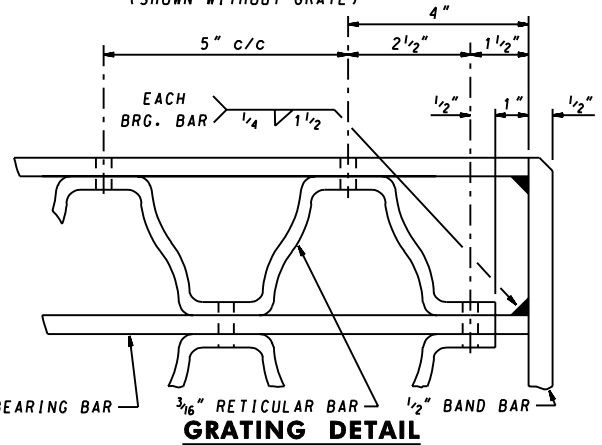
SECTION E-E

(SHOWN WITHOUT GRATE)



SUPPORT BEAM
WB x 31 (GALVANIZED)

INLET TYPE	DIMENSIONS		
	A	B	C
WR	4'-6 1/8"	3'-4 3/8"	1'-1 3/4"
WRM	6'-4 5/8"	3'-4 3/8"	3'-0 1/4"



GRATING DETAIL

SPECIFICATION 305	CATEGORY CODE ITEMS
-----------------------------	---------------------

APPROVED *Kirk G. McCall*
DIRECTOR - OFFICE OF HIGHWAY DEVELOPMENT

	APPROVAL • SHA REVISIONS	APPROVAL • FEDERAL HIGHWAY ADMINISTRATION
	APPROVAL 2-28-75	APPROVAL 1-14-75
	REVISED 10-1-01	REVISED 9-21-87
	REVISED	REVISED

Maryland Department of Transportation
STATE HIGHWAY ADMINISTRATION
STANDARDS FOR HIGHWAYS AND INCIDENTAL STRUCTURES

STANDARD WR & WRM INLET
FRAME & GRATE

STANDARD NO. MD 374.03