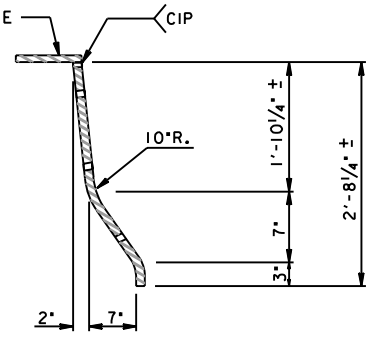
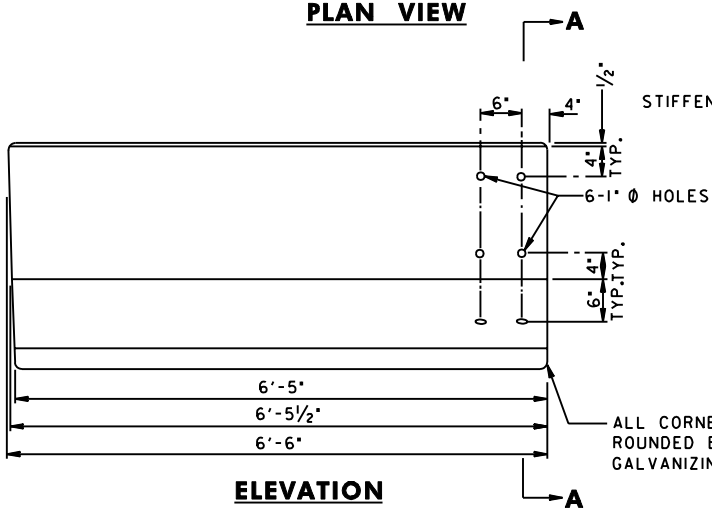


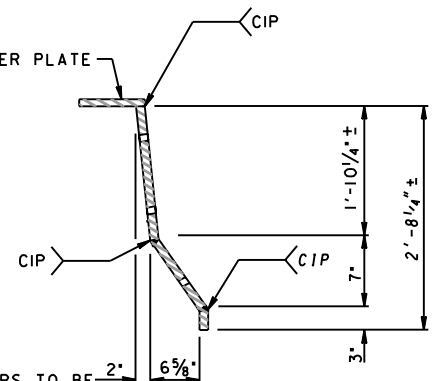
PLAN VIEW



SECTION A-A
(SHOWN BENT WITH WELDED STIFFENER PLATE)



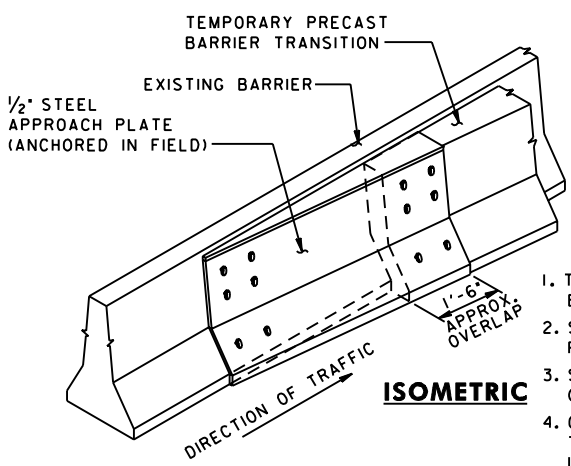
ELEVATION



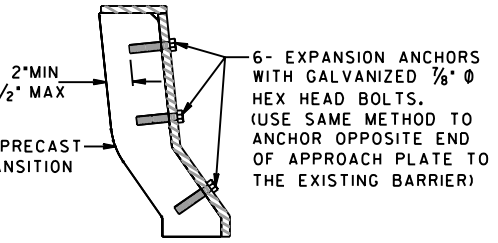
SECTION A-A
(SHOWN WELDED)

APPROACH PLATE

(1/2" STEEL PLATE - GALVANIZED)



ISOMETRIC



APPROACH PLATE ANCHORAGE

(PERFORMED IN THE FIELD TO ACHIEVE PROPER PLACEMENT AND HOLE ALIGNMENT)

NOTES

1. THE APPROACH PLATE SHALL BE FABRICATED USING 1/2" THICK STEEL PLATE BENT OR WELDED TO CONFIGURATION SHOWN.
2. STRUCTURAL STEEL SHALL CONFORM TO ASTM A709 AND GALVANIZED AFTER FABRICATION IN CONFORMANCE WITH ASTM A123.
3. SEE STANDARD MD 104.01-57 FOR DETAILS OF PRECAST TEMPORARY CONCRETE TRAFFIC BARRIER TRANSITION LEFT SIDE APPROACH.
4. COST OF APPROACH PLATE IS INCIDENTAL TO THE COST OF THE PRECAST TEMPORARY 32 INCH F SHAPE CONCRETE TRAFFIC BARRIER TRANSITION LEFT SIDE APPROACH.
5. WHEN THE APPROACH PLATE IS REMOVED THE HOLES IN EXISTING BARRIER SHALL BE GROUTED.

SPECIFICATION 104	CATEGORY CODE ITEMS
-----------------------------	---------------------

APPROVED *Kirk G. McCall*
DIRECTOR - OFFICE OF HIGHWAY DEVELOPMENT



APPROVAL • SHA REVISIONS	APPROVAL • FEDERAL HIGHWAY ADMINISTRATION
APPROVAL 8-20-03	APPROVAL 9-23-03
REVISED	REVISED
REVISED	REVISED
REVISED	REVISED

Maryland Department of Transportation
STATE HIGHWAY ADMINISTRATION
STANDARDS FOR HIGHWAYS AND INCIDENTAL STRUCTURES
APPROACH PLATE FOR PRECAST TEMPORARY
32 INCH F SHAPE CONCRETE TRAFFIC BARRIER
FOR TRANSITION LEFT SIDE

STANDARD NO.

MD 104.01-58